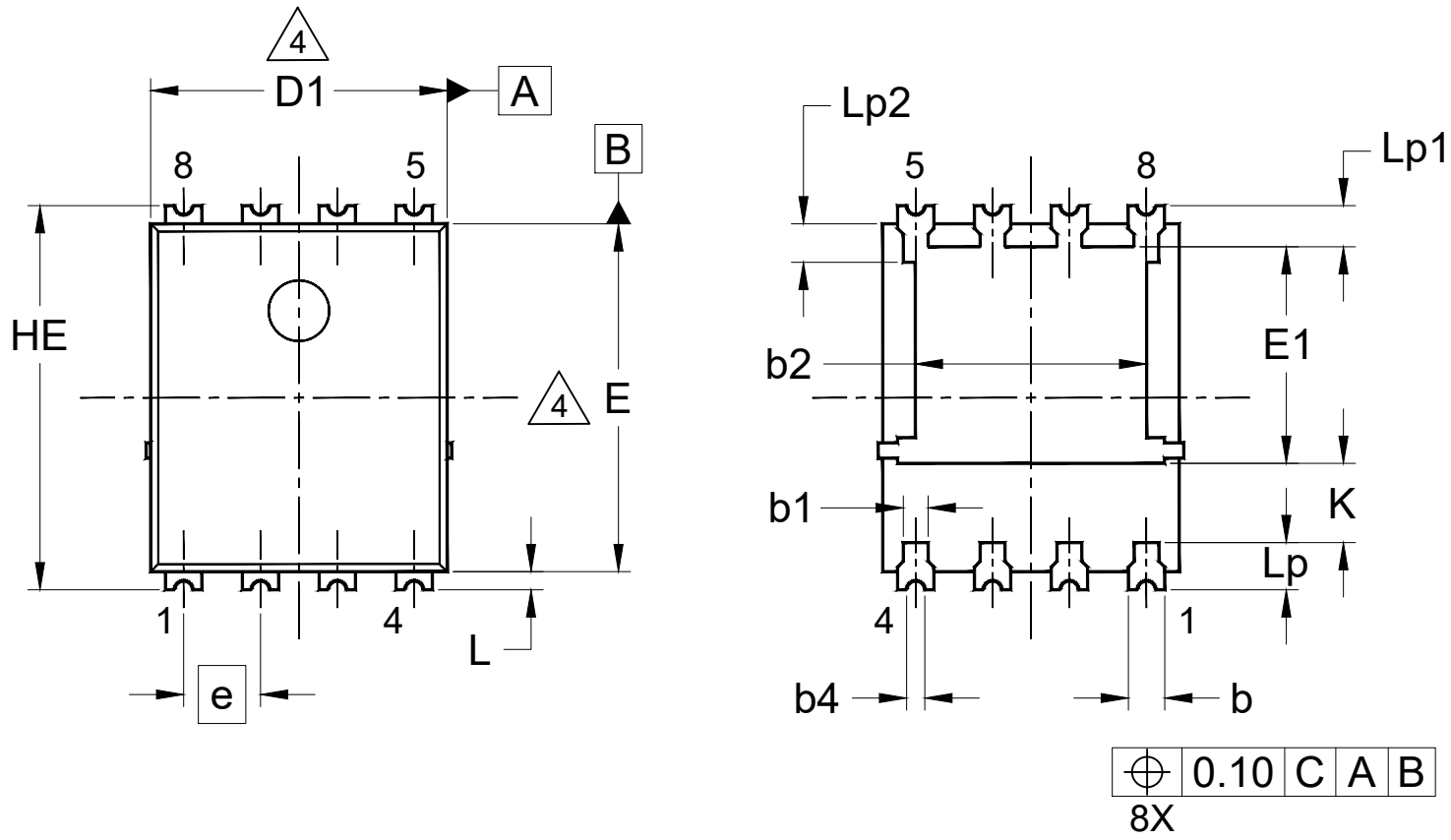


SUGGESTED PAD LAYOUT  
(REFERENCE ONLY)

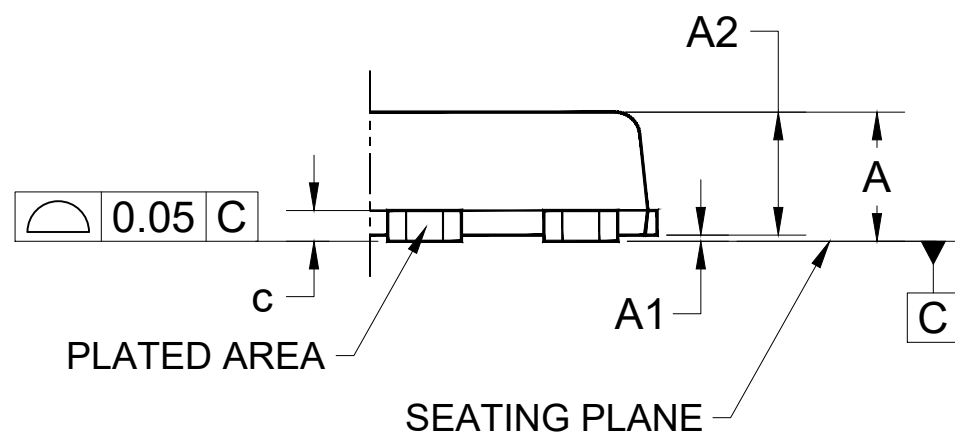
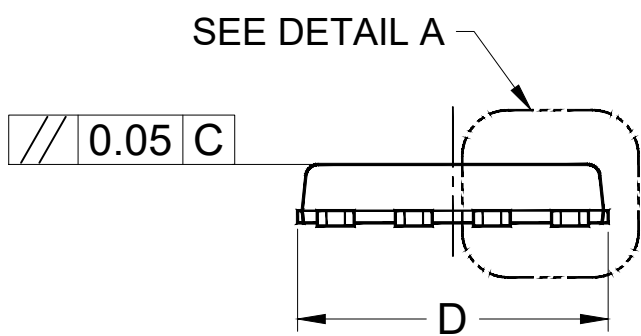
DETAIL A  
(SCALE 2:1)

NOTES: UNLESS OTHERWISE SPECIFIED

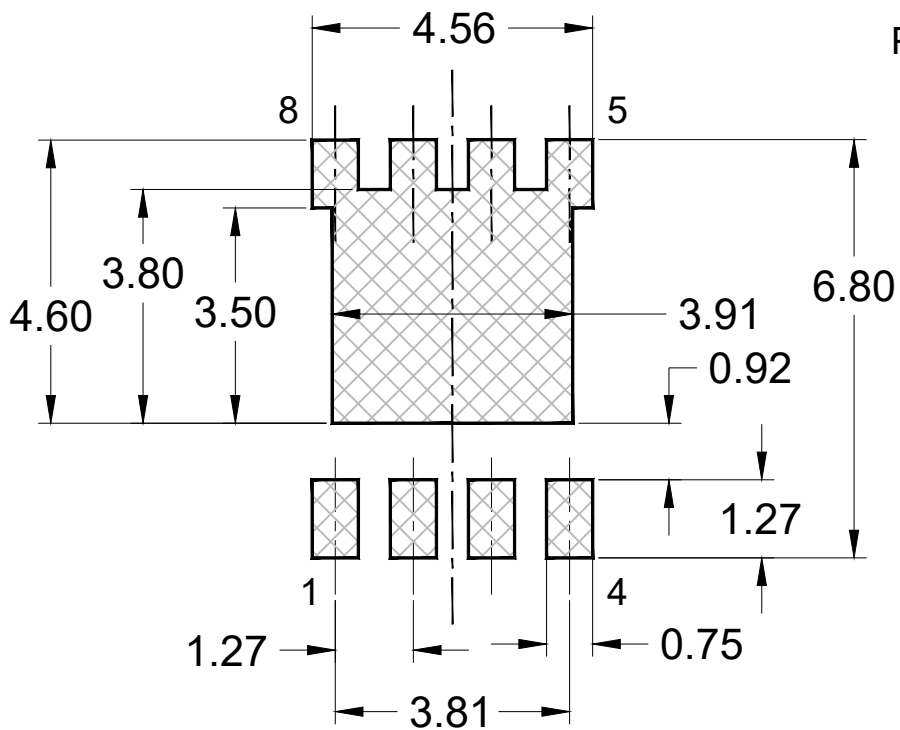
1. ALL DIMENSIONS ARE IN MILLIMETERS.
2. DIMENSIONING AND TOLERANCING PER ASME Y14.5M-1994.
3. PACKAGE OUTLINE REFERENCE: JEITA ED-7500B, EIAJ SC-111BB.
4. MOLDED PLASTIC BODY DIMENSIONS DO NOT INCLUDE MOLD FLASH, PROTRUSIONS OR GATE BURRS.
5. DWG NO. REF: HQ2SD07-PDFN56U-023 REV B.



DIM	Unit (mm)	
	Min	Max
A	0.90	1.10
A1	0.00	0.05
A2	0.90	---
b	0.52	0.70
b1	0.33	0.51
b2	3.61	3.96
b4	0.30	REF
c	0.20	0.30
D	4.80	5.30
D1	4.80	5.00
E	5.70	5.80
E1	3.38	3.78
HE	6.25	6.45
e	1.27	BSC
K	1.10	---
L	0.25	0.40
Lp	0.68	0.88
Lp1	0.58	0.78
Lp2	0.64	REF



DETAIL A  
(SCALE 2:1)



SUGGESTED PAD LAYOUT  
(REFERENCE ONLY)

NOTES: UNLESS OTHERWISE SPECIFIED

1. ALL DIMENSIONS ARE IN MILLIMETERS.
2. DIMENSIONING AND TOLERANCING PER ASME Y14.5M-1994.
3. PACKAGE OUTLINE REFERENCE: JEITA ED-7500B, EIAJ SC-111BB.
4. DIMENSIONS E AND D1 DO NOT INCLUDE MOLD FLASH, PROTRUSIONS OR GATE BURRS.
5. DWG NO. REF: HQ2SD07-PDFN56U-023 REV B.

# CLEARANCE REVIEW OF SCALED UNIT OVERLAY ON TOP OF PAD LAYOUT, 8LD PDFN56U SINGLE DAP

